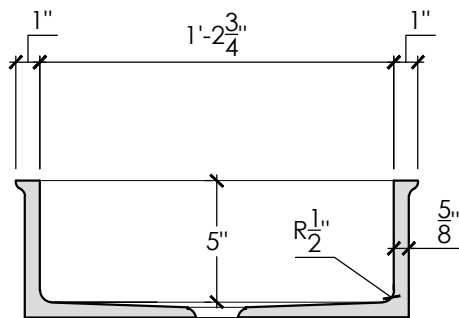


SINK WEIGHT: 12 LBS. 8 OZ.

## PLAN VIEW



## LONGITUDINAL SECTION

### NOTES:

- SINKS COME STANDARD WITHOUT OVERFLOW. OVERFLOW CAN BE ADDED UPON REQUEST.
- ALL PLUMBING HARDWARE PROVIDED BY OTHERS.

DATE: 2017.7.13

DRAWING: PLAN & ELEV

SCALE: 1-1/2" = 1'-0"

All dimensions size designations given are subject to verification on job site and adjustment to fit job conditions.

DURAT SINK - BLOCK I-A

**CaraGreen**  
Sustainable Architectural Materials